





RB-DOORS

Hospitality



רב-בריה



Institutional Formica Door

Leaf thickness – 43.6mm

Max Wall Opening Measures: 1200X2350mm

Vision Panel Dimensions (optional):

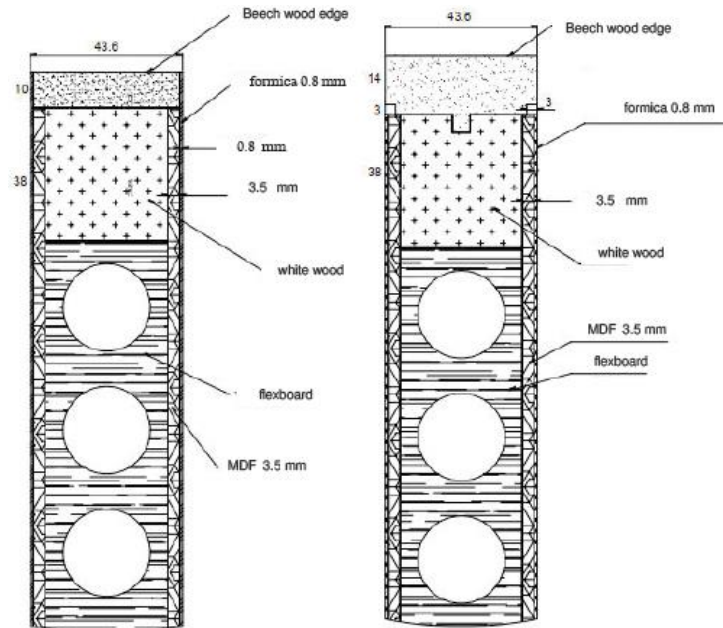
600x200 mm

Round 490 mm diameter

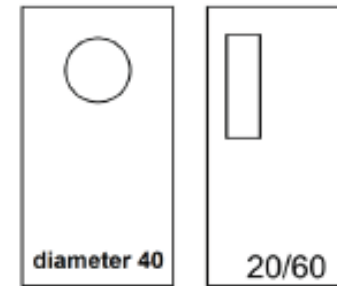
Construction frame made of 1.5 galvanized steel

Options:

- Double leaf
- Hydraulic door closer
- Panic bar
- Panic lock
- Fixed handle
- Roll Lock
- Louver option



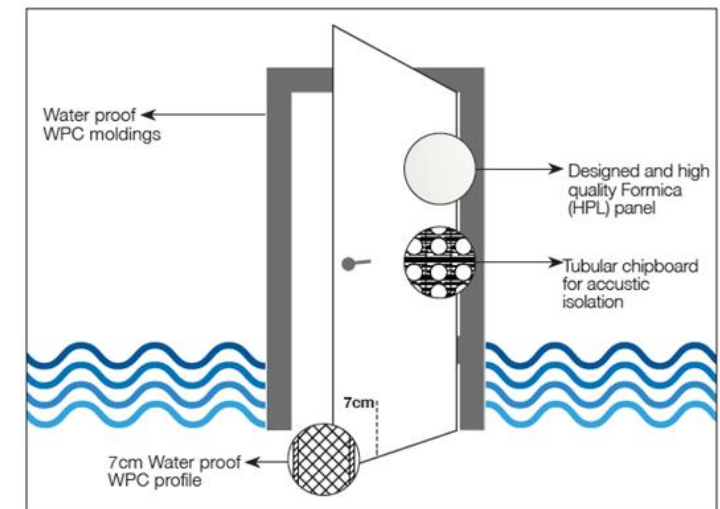
window types



Wooden Interior Doors – Top Series

RB-DOORS' wood interior doors are among the most advanced and technological interior doors available on the market. The doors are manufactured in the RB-DOORS® factory, a factory with over 40 years of experience in the field. Keeping with the company's highest standards for quality and excellence, the doors are manufactured in a variety of colors and finishes. The broad range of door series, coatings, manufacturing techniques and styles available will satisfy the various needs and desires of different target audiences while upgrading any room in home or office.

- Door Leaf – Made with a tubular chipboard filling and rubber seal for acoustic insulation
- Coating - High quality water resistant Formica (HPL) and/or oven baked paint
- Door Frame – High quality laminate covered wood or WPC
- Architraves – Wide telescopic and adjustable architraves made of water resistant WPC
- Silent magnetic locking
- Pipe hinges
- Optional Decoration – Glazing, Aluminum Stripes, Grooving designs
- Dimensions (wall opening) – Max. height 2400mm, Max width 1200mm, Door frame width 140mm (standard)
- Handles options:



Wooden Interior Doors – Top Series

Top Zero – Door and frame leveled with the wall in one line



Top Paint – Model Rome



Top Paint – Model Barcelona – Aluminum Strips



Top Formica – White



Top Paint – Cream Japanese Glazing



Wooden Interior Doors – Top Premium



Door Height 220/240mm
Wood frame covered with water resistance lamination

Concealed hinges
Tubular chipboard filling for acoustic insulation

Magnetic lock for silent locking

Bottom water protection made of 7cm WPC

White 3 Panel grooving



Dark gray Ibiza grooving



Light gray 3 panel grooving



Wooden Interior Doors – Premium Handles

Santorini Matte Black



Athens Brushed Black



Athens Bronze



Saloniki Brushed Black



Corfu Black



Arta Brushed Gold



Bordeaux Black



Bordeaux Titanium



Bordeaux Matte Nickel



Nice Black



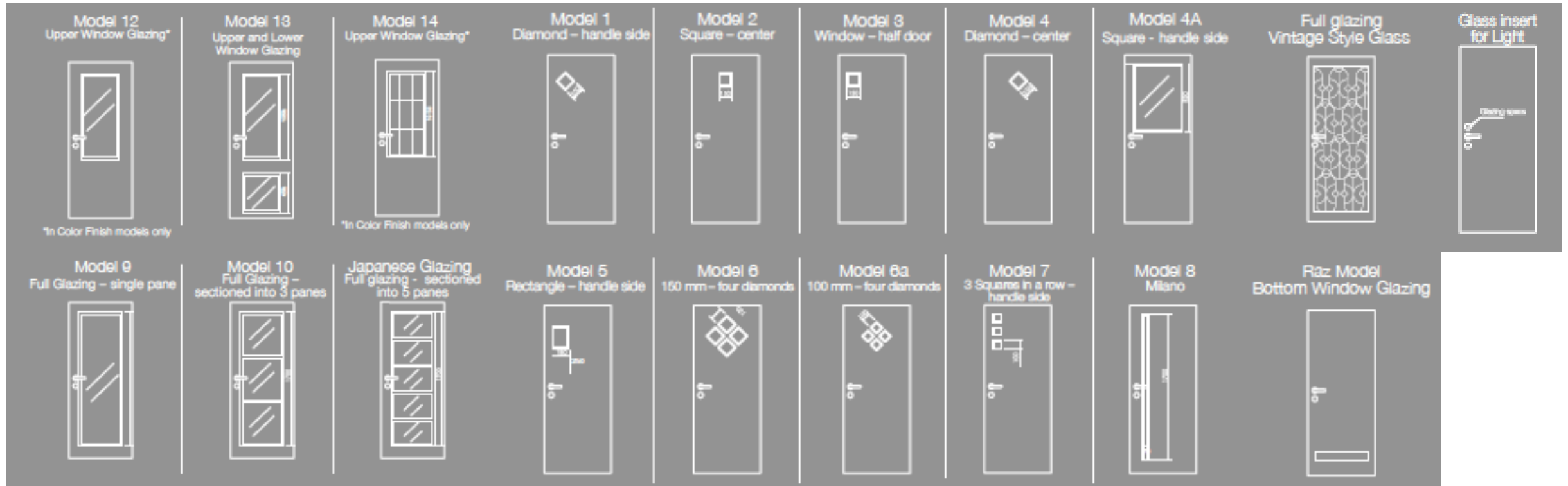
Nice Glossy Chrome



Nice Brushed



Wooden Interior Doors – Glazing Options

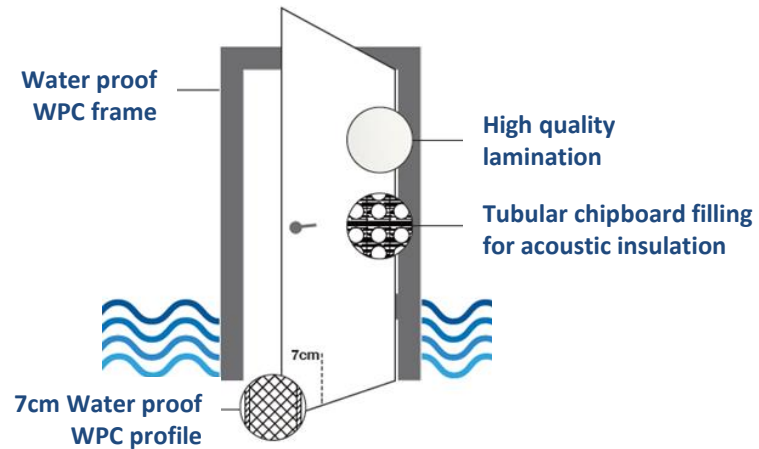


Wooden Interior Doors – Limotop Series

The popular interior door series with Laminate coating in a variety of colors and textures. The stylish finish of this interior door series will upgrade any room in home or office. This collection caters to contemporary taste with its wide range of colors and textures marked at the right price.

- Door leaf with Honey Comb/Tubular chipboard filling
- Silent magnetic locking
- Coated door frame in 9.5/12/14 cm frame widths
- Barcelona or layered style WPC polymer architraves
- Surrounding rubber seal for noise reduction
- Pipe hinges
- 7 cm water proof WPC profile at the bottom
- Options: A selection of glazing and Aluminum strips
- Dimensions (wall opening) – Max. height 2400mm, Max width 1200mm, Door frame width 140mm (standard)

Handles options:



Wenge



Walnut - with Japanese glazing

Model 408 – Fire&Security Entrance Door (30 min. fire rated, Acoustic 34Db)

GENERAL DESCRIPTION

- Two 1.25mm galvanized steel sheet covers
- Interior steel bar reinforcement for optimum security
- Acoustic 34Db
- 5cm thick door leaf
- Weight 60Kg per door leaf
- Integrated gasket and edge sealing materials along three sides
- Integrated weather stripping along the bottom

LOCKING SYSTEM

- Model RB507 4-way Multi-point Locking System
- Four front lock bolts and spring loaded latch
- Reinforced bottom and upper bolts
- Hook-like rear fixed bolts
- RB's patented high security tamper proof cylinder
- Security cover plates on both sides

FRAME

- 1.5mm galvanized steel single or double rebated knockdown frame

DIMENSIONS

- • Standard height from 2050-2300mm
- • Standard width from 920-1030mm

STANDARDS

- IIS 5044
- IIS 1212 – 30 minute fire rated



Model 769 - Bullet Resistance Door

GENERAL DESCRIPTION

The door is made of two 1.25mm thick galvanized steel sheets, reinforced by horizontal steel bars set between the casing and the armor plate.

RB's High security 4-way locking system with additional reinforcement mechanism, 4 heavy duty hinges, Telescopic bottom insert for door height adjustment.

Door leaf thickness is 50 mm.

Door weight is 120 kg - 150 kg.

*Bullet resistant window - optional.

CERTIFICATION

Ballistic resistant armor steel plate, tested according to UL 752 protection level 4-8 and EN1503.

Ballistic resistant transparency tested according to DIN 52290 part 2, using an AK- 47 and M16.



FW30/FW60/FW90 - Fire Rated Door 30/60/90 min

GENERAL DESCRIPTION

Door leaf with two 1.25 mm thick galvanized steel casings and interior reinforcements.

Intumescent gasket between door and frame.

Fire rated hardware.

Telescopic bottom insert for final height adjustment.

HARDWARE AND ACCESSORIES

Panic Lock.

Moveable lever door handles.

Fixed handle, Panic bar or Push bar – optional.

Hydraulic closer - optional.

Door closing coordinator - for double door.

WINDOW DIMENSIONS (OPTIONAL)

600x400 mm.

820x240 mm.

Round 440 mm diameter.

DOOR FINISH

PVC finish.

Electro-static powder coating.

DIMENSIONS

Maximum door leaf height (without bottom insert) – 2200 mm.

Maximum door frame height – 2400 mm.

Maximum moveable door width – 1140 mm.

Maximum fixed door width – 1140 mm.

Maximum double-leaf door frame width – 2360 mm.



FW120 – Fire Rated Door 120 min. (South African Standard)

GENERAL DESCRIPTION

The door leaf is made of two 1.25 mm galvanized steel sheets, reinforced by an internal profile structure. There are no welding points on the door - increased corrosion resistance.

The door is equipped with a telescopic bottom insert for door height adjustment.
Double layered door leaf filling - high density rock wool and fire resistant gypsum.
Peripheral fire and smoke resistant gasket with intumescent core is attached to the door leaf edge.
Door leaf thickness is 50 mm.

HARDWARE AND ACCESSORIES

Available with stainless steel fixed handle, or with moveable handles.
Door closer - optional.
Anti - Panic lock.
Door coordinator for double leaf door – optional.
Panic bar - optional.

WINDOW DIMENSIONS (OPTIONAL)

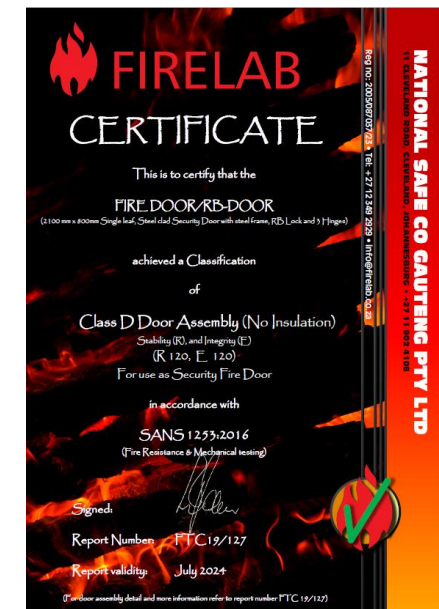
600x400 mm.
820x240 mm.
Round 440 mm diameter.

DOOR FINISH

PVC finish.
Electro-static powder coating.

DIMENSIONS

Maximum door leaf height (insert height not included) – 2,400 mm.
Maximum door frame height – 2,500 mm.
Maximum moveable door width – 1,300 mm.
Maximum fixed door width – 1,300 mm.



FW31AC/FW91AC - Acoustic Fire Rated Door 30 min (34DB) /90 min. (41DB Single, 38DB Double)

GENERAL DESCRIPTION

The door leaf is made of two 1.25 mm galvanized steel sheets, reinforced by an internal profile structure.

The door is equipped with a telescopic bottom insert for door height adjustment.

Double layered door leaf filling - high density rock wool and fire resistant gypsum.

Peripheral fire and smoke resistant gasket with intumescent core is attached to the door leaf edge.

Door leaf thickness is 50 mm.

HARDWARE AND ACCESSORIES

Available with stainless steel fixed handle, or with moveable handles.

Door closer - optional.

Anti - Panic lock.

Door coordinator for double leaf door - optional.

Panic bar - optional.

WINDOW DIMENSIONS (OPTIONAL)

600x400 mm.

820x240 mm.

Round 440 mm diameter.

DOOR FINISH

PVC finish.

Electro-static powder coating.

DIMENSIONS

Maximum door leaf height (insert height not included) – 2,400 mm.

Maximum door frame height – 2,500 mm.

Maximum moveable door width – 1,300 mm.

Maximum fixed door width – 1,300 mm.

Acoustic rating for FW30 door with Acoustic Frame – 34DB

Acoustic rating for FW90 door with Acoustic Frame: Double door - 38 DB*, Single door - 41 DB*

*Weighted sound reduction index – Rw



FW870/870S – Electro-Mechanic Controlled Fire Rated Door 60 min

General Description

- The door leaf is made of two 1.25 mm galvanized steel sheets, reinforced
- by an internal profile structure
- The door is equipped with a telescopic bottom insert for door height adjustment.
- Double layered door leaf filling - high density rock wool and fire resistant gypsum.
- Peripheral fire and smoke resistant gasket with intumescent core is attached to the door leaf edge.
- Door leaf thickness is 50 mm.
- Fire rated 60 min.

Hardware and Accessories

- FWI 870S - Slammed & locked panic mechanic lock, fixed external handle, moving internal handle
- FWI 876S - Slammed & locked panic electro-mechanic lock, moving external handle, moving internal handle, in case of power outage the lock is closed from external side (fail secure)
- FWI 879S - Slammed & locked panic electro-mechanic lock, fixed external handle, moving internal handle, in case of power outage the lock is opened from external side (fail safe)
- Emergency opening by cylinder
- Optional panic bar (push bar or touch bar)
- Door closer
- Black fire moving handle
- Heavy duty Pipe hinges

**BKS Multipoint Slammed
& Locked Electro-
Mechanic Lock**



**BKS Slammed & Locked
Electro-Mechanic Lock**



FW730/FW760/FW765 – Fire Rated Door 30/60/90 min with Butt Hinges (non-rebate)

**Fire Black
Moving Handle**



**Heavy Duty
Butt Hinges**



ISEO Panic Lock



Door Closer



FW770 – Electro-Mechanic Controlled Fire Rated Door 90 min with Butt Hinges (non-rebate)

**Fire Black
Moving Handle**



**Heavy Duty
Butt Hinges**



**BKS Slammed&Locked
Electro-Mechanic Lock**



Door Closer



Auto Door Opening Function

**Fixed external handle,
moving internal handle**



Push Button



Automatic Door Opening



Fire Doors Accessories



ISEO Push Bar



Door Closer



3 Pipe Hinges



**BKS Slammed & Locked
Electro-Mechanic Lock**



ISEO Touch Bar



ISEO 72 Touch Bar



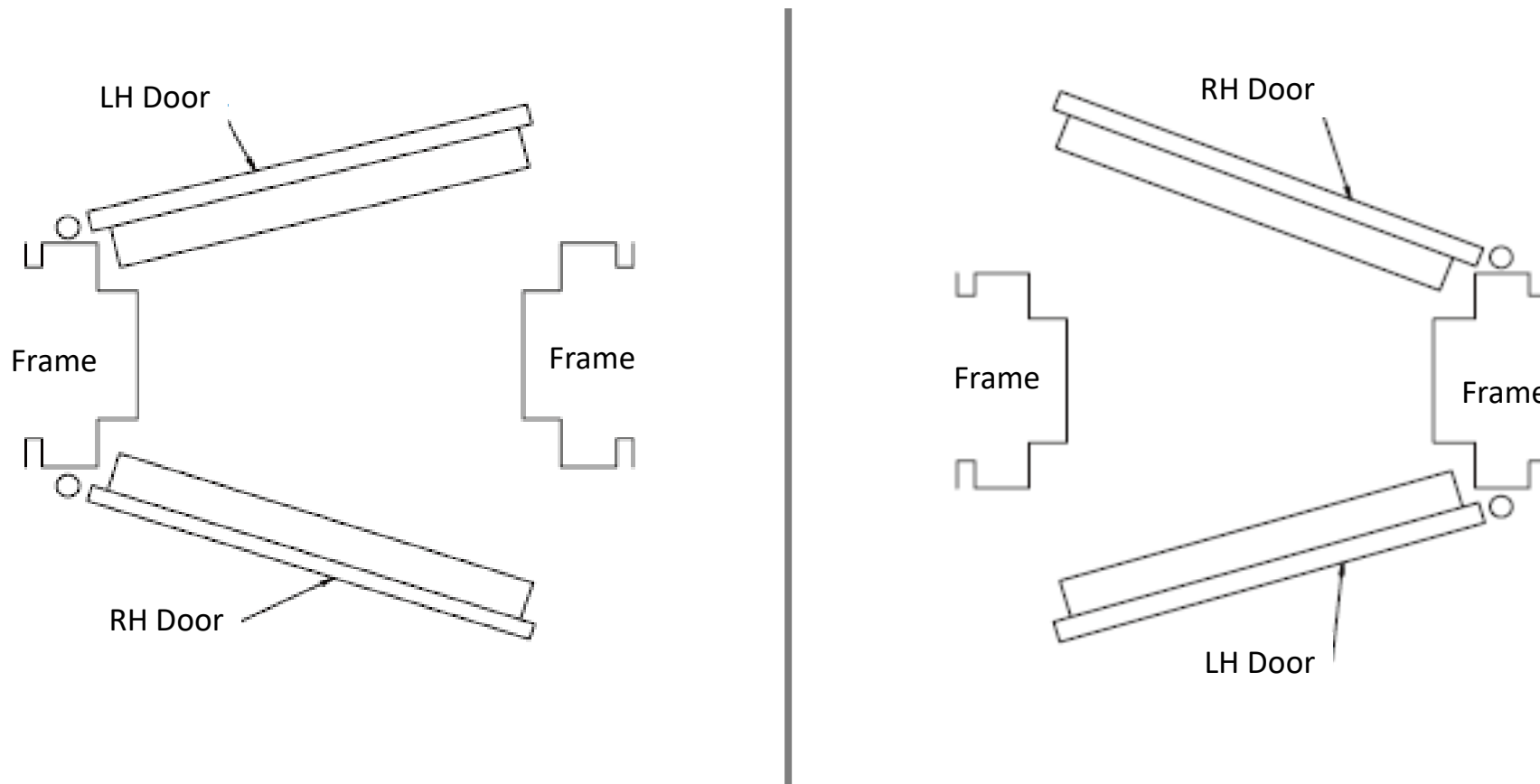
ISEO 72 Push Bar



**Stainless Steel
Moving Handle**

Interleading Doors for Connected Guestrooms

- Special frame that allows installation of two doors (on both sides of the frame)
- All options are available: two fire doors, two security doors, fire door and security door combined,



Steel Storeroom & Industrial Doors – 450 Series

GENERAL DESCRIPTION

Steel door made of 1.25/0.8 mm galvanized steel casings, with or without a surrounding rubber seal on edges and telescopic bottom insert for easy door height adjustment. Suitable for storerooms, ventilation rooms, electric rooms and general facilities.

DOOR LEAF DIMENSIONS MODELS 452 & 451

Width: from 880 to 1280 mm in increments of 20 mm
Height: ranging from 1820 mm and up to 2800 mm (not including insert height)

DOOR LEAF DIMENSIONS MODELS 456 & 455

Width: from 300 to 860 mm in increments of 20 mm
Height: ranging from 1820 mm and up to 2800 mm (not including insert height)

OPENING DIRECTIONS

Right/left

Outwards/inwards opening

WINDOW OPTIONS

Smoke Shutter Window (upper/lower/entire door/upper and lower)

Vent slats (louver) (upper/lower/ entire door/upper and lower)

LEAF INSERT

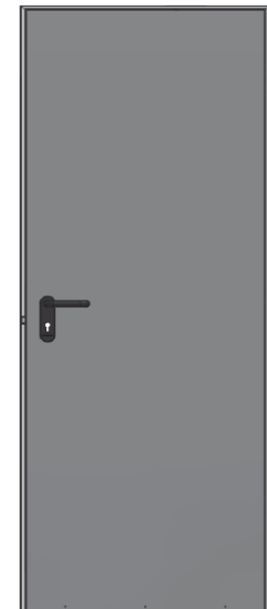
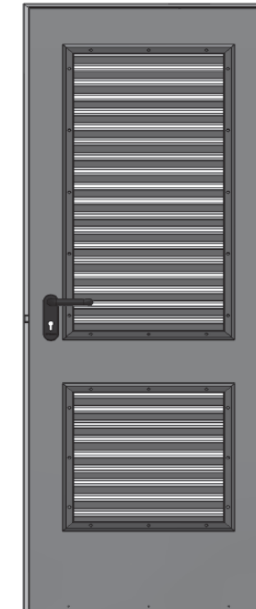
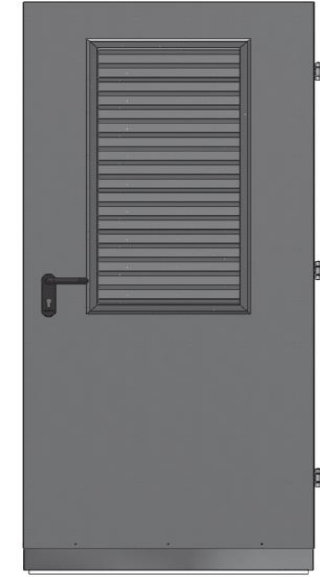
Standard height: 105 mm, 130 mm height by special order

FINISHES

Textured or granular Electrostatic Paint Finish according to RB color catalogue

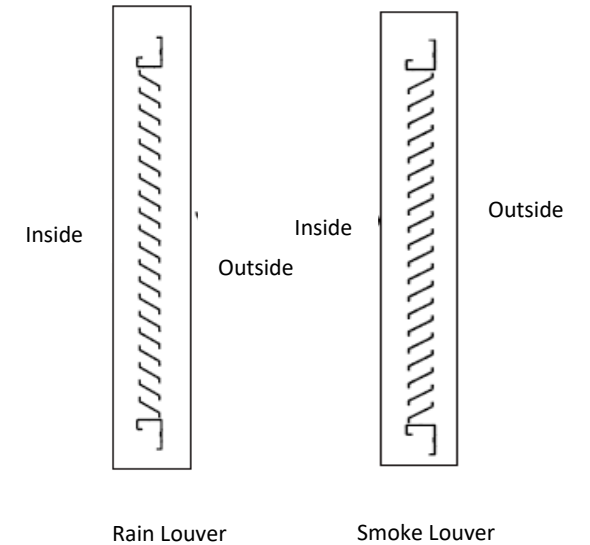
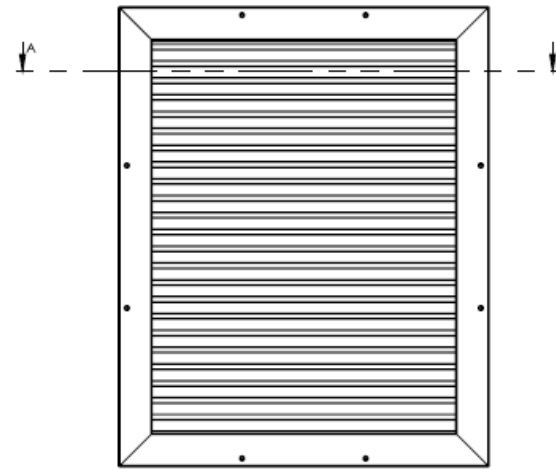
PVC Finish

Galvanized



Louvers

- Made of 1.5mm galvanized steel
- Custom made per required measures
- Including frame for perfect fit
- Max. dimensions for painted louver 1500/2500mm
- Larger dimensions available as galvanized only



Arm Barrier

- Electric arm barrier enabling quick and convenient entrance and exit for parking lot regulation and control
- Allowing entrance to authorized people and vehicles only
- Anti-collapse mechanism
- LED lightning
- Manual opening in case of emergency
- Remote control by phone/remote control/push button
- Integration to access control system
- Up to 6m long

